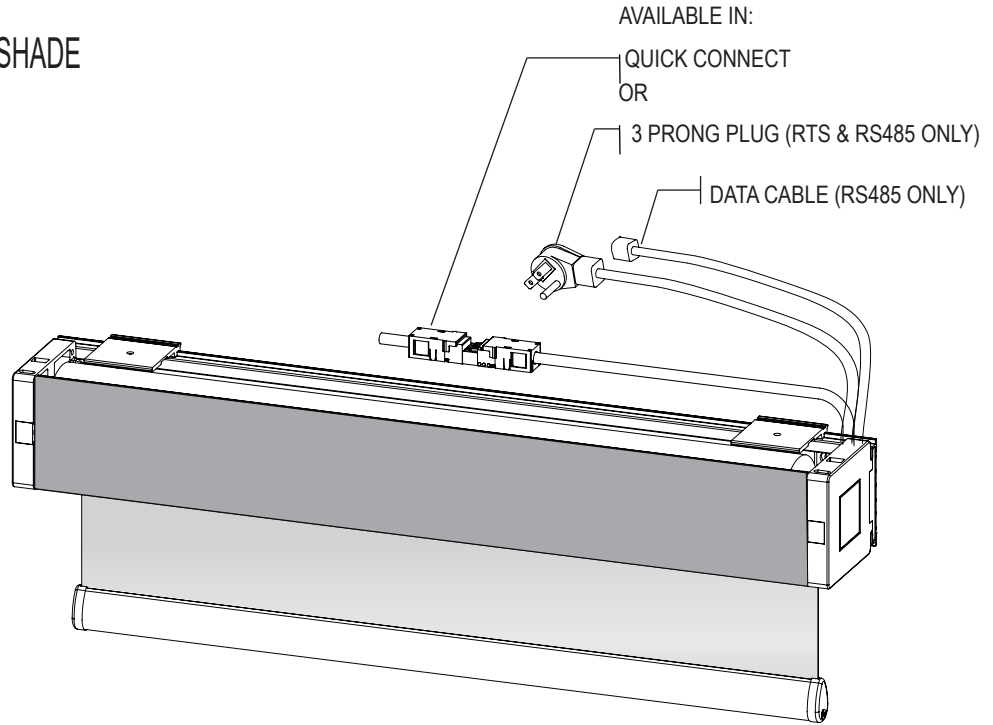


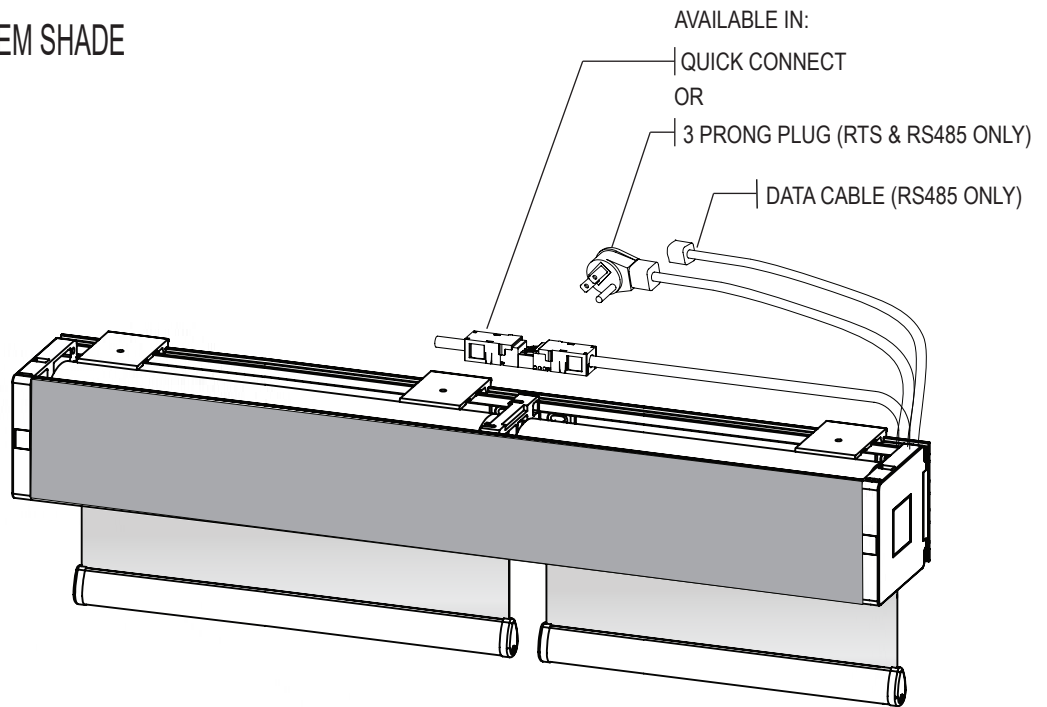
MDL-85 | 120V AC | FASCIA SYSTEM

AUTOMATED ROLLER SHADES - 120VAC DRIVE

SINGLE SHADE



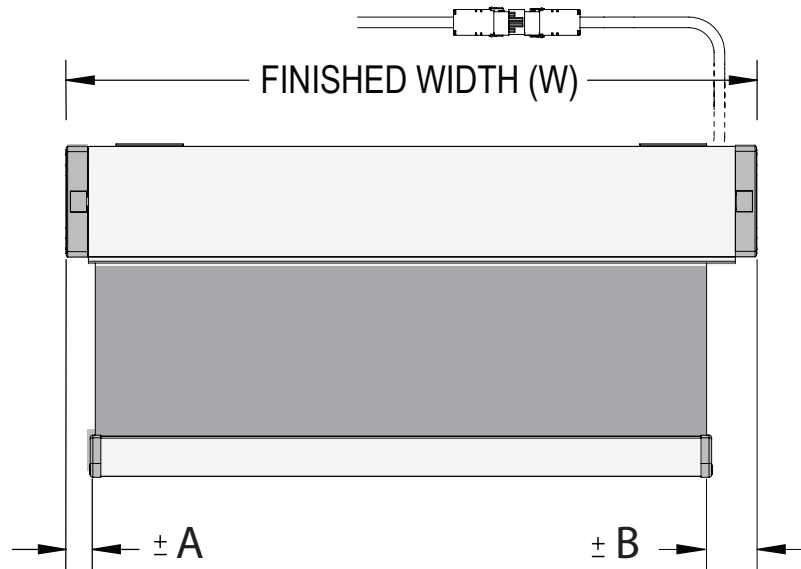
TANDEM SHADE



AVAILABLE IN: **2B** **3B** **4B** SIZE LIMITATIONS APPLIES CALL FOR DETAILS

AUTOMATED ROLLER SHADES - 120VAC DRIVE

■ SINGLE SHADE



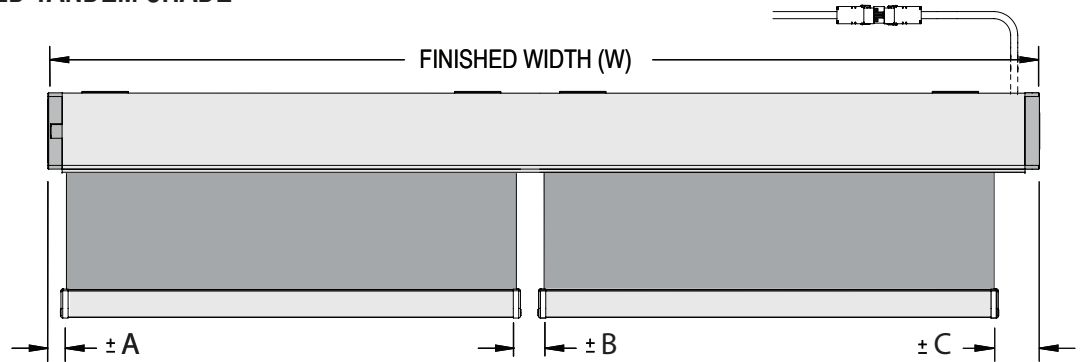
EDGE CLEARANCE	A	B
DIMENSION	± 22 [0.875"]	± 38 [1.500"]

SIZE LIMITATIONS APPLIES

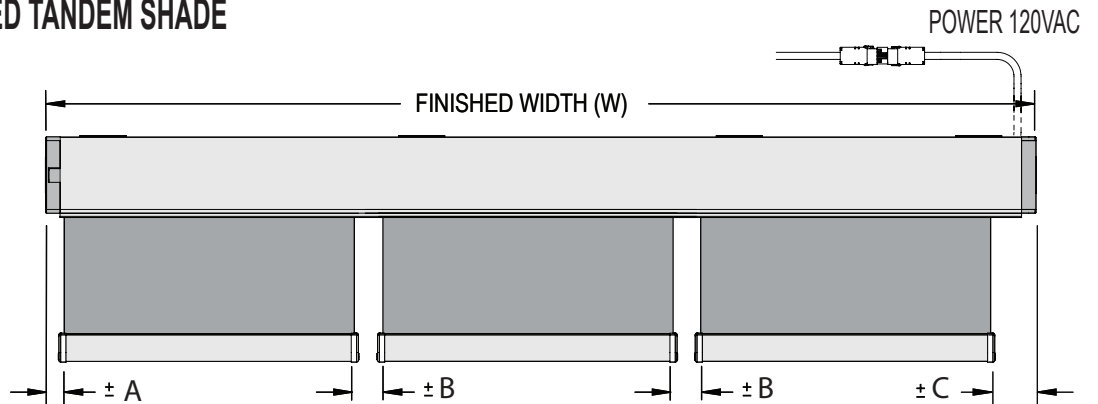
CALL FOR DETAILS

AUTOMATED ROLLER SHADES - 120VAC DRIVE
AVAILABLE TANDEM OPTIONS

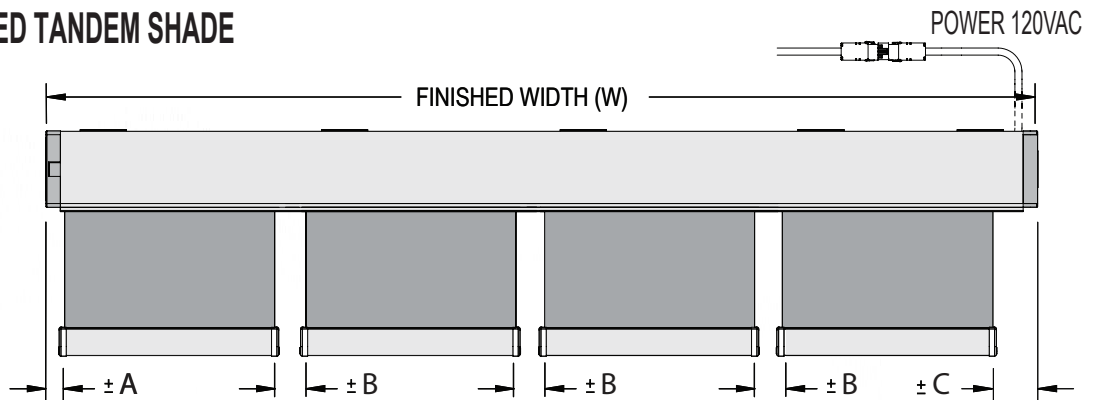
2 BANDED TANDEM SHADE



3 BANDED TANDEM SHADE



4 BANDED TANDEM SHADE

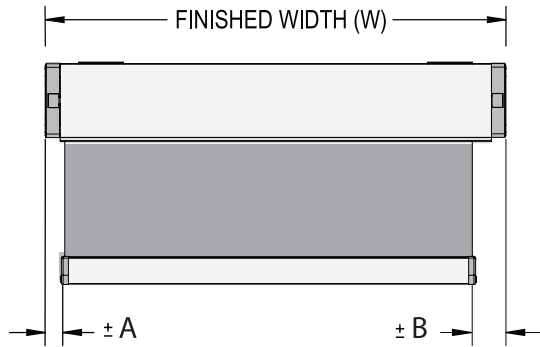


EDGE CLEARANCE	A	B	C
DIMENSION	± 22 [0.875"]	± 44 [1.732"]	± 38 [1.500"]

TECHNICAL SECTION

SINGLE SHADE

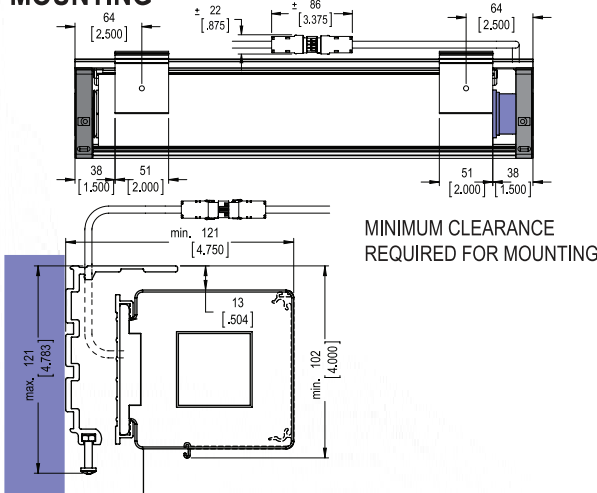
ELEVATION



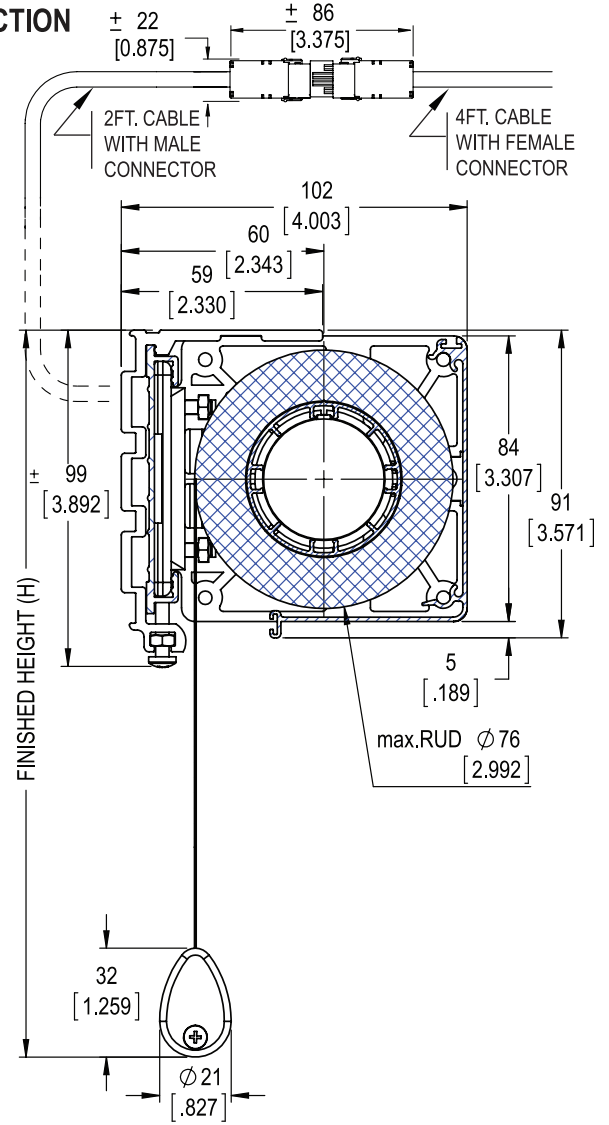
TOLERANCE +/- 1.5mm [0.0625"]
DIMENSIONS mm [inches]

DIMENSION	FABRIC EDGE CLEARANCE [±mm / ±in] BY TUBE TYPE									
	32		38		46		53		63	
A	n/a	n/a	n/a	n/a	22	0.875	22	0.875	n/a	n/a
B	n/a	n/a	n/a	n/a	38	1.500	38	1.500	n/a	n/a

MOUNTING

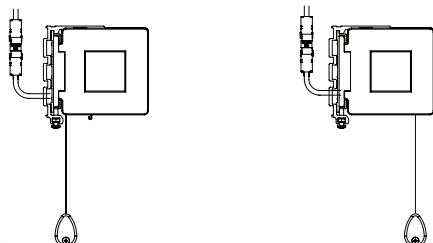


SECTION



MODEL MDL1-EM46-85-VS-UQM40/UQM40RTS

ROLL STYLE



REGULAR ROLL

REVERSE ROLL

AUTOMATED SHADES | 120VAC | 04

MDL-85 | 120V AC | FASCIA SYSTEM

TECHNICAL SECTION

BANDED SHADES

